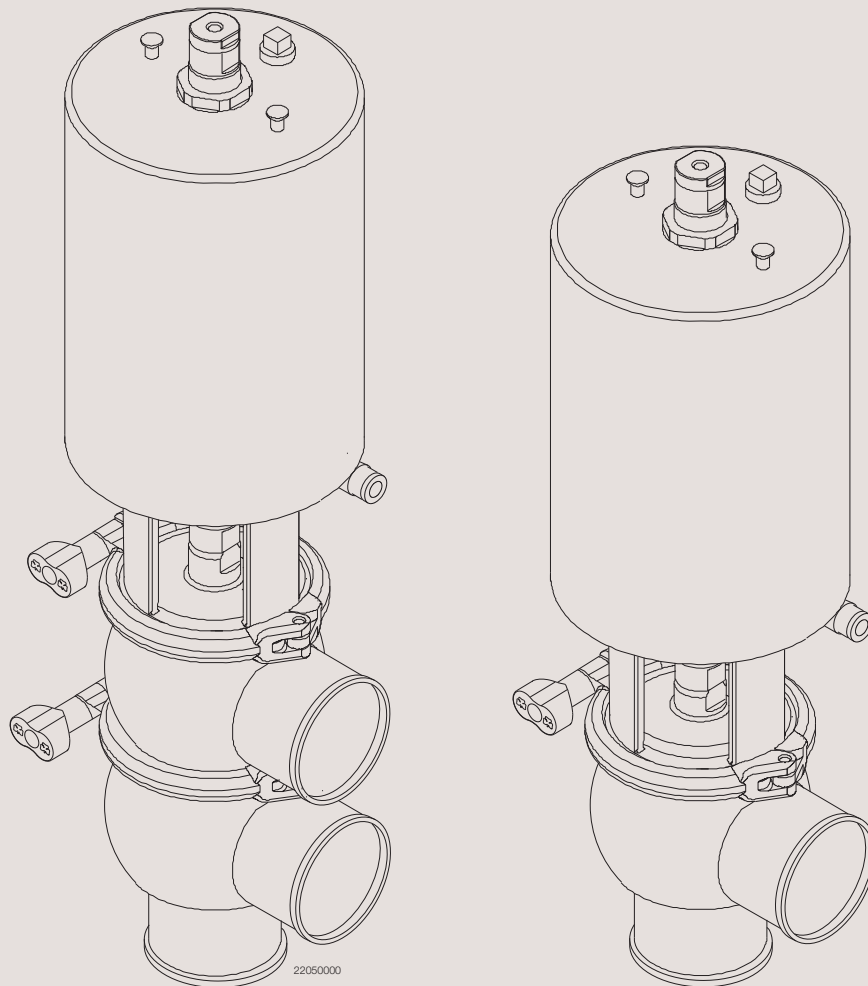




Instruction Manual

Unique 7000 Series Aseptic Valve



ESE00579-ENUS3 2014-12

Original manual

The information herein is correct at the time of issue but may be subject to change without prior notice

1. EC Declaration of Conformity	4
2. Safety	5
2.1. Important information	5
2.2. Warning signs	5
2.3. Safety precautions	6
3. Installation	8
3.1. Unpacking/delivery	8
3.2. General installation	9
3.3. Welding	11
3.4. Recycling information	12
4. Operation	13
4.1. Operation	13
4.2. Troubleshooting	15
4.3. Recommended cleaning	16
5. Maintenance	18
5.1. General maintenance	18
5.2. Dismantling of valve	20
5.3. Elastomer seat ring replacement	21
5.4. Assembly of valve	21
5.5. Actuator bushing replacement	21
5.6. Dismantling of optional maintainable actuator	21
5.7. Assembly of optimal maintainable actuator	22
5.8. Additional equipment	22
6. Technical data	23
6.1. Technical data	23
7. Unique 7000 Series Aseptic Valve	24
7.1. Unique 7000 Series Aseptic Valve	24
7.2. Unique 7000 Series Aseptic Valve - shut-off	25
7.3. Unique 7000 Series Aseptic Valve - Change-over	27
7.4. Maintainable actuator	29

1 EC Declaration of Conformity

Revision of Declaration of Conformity 2009-12-29

The Designated Company

Alfa Laval Kolding A/S

Company Name

Albuen 31, DK-6000 Kolding, Denmark

Address

+45 79 32 22 00

Phone No.

hereby declare that

Valve

Designation

Unique 7000 PN10

Type

From serial number 5099880 to 29999999999

is in conformity with the following directive with amendments:

- Machinery Directive 2006/42/EC
- Regulation (EC) No 1935/2004
- Pressure Equipment Directive 97/23/EC category 1 and subjected to assessment procedure Module A.

The person authorised to compile the technical file is the signer of this document

QHSE Manager, Quality, Health and safety & Environment

Title

Annie Dahl

Name

Kolding

Place

2013-12-03

Date

Annie Dahl

Signature



*Unsafe practices and other important information are emphasized in this manual.
Warnings are emphasized by means of special signs.*

2.1 Important information

Always read the manual before using the valve!

WARNING

Indicates that special procedures must be followed to avoid serious personal injury.

CAUTION

Indicates that special procedures must be followed to avoid damage to the valve.

NOTE

Indicates important information to simplify or clarify procedures.

2.2 Warning signs

General warning:



Caustic agents:



2 Safety

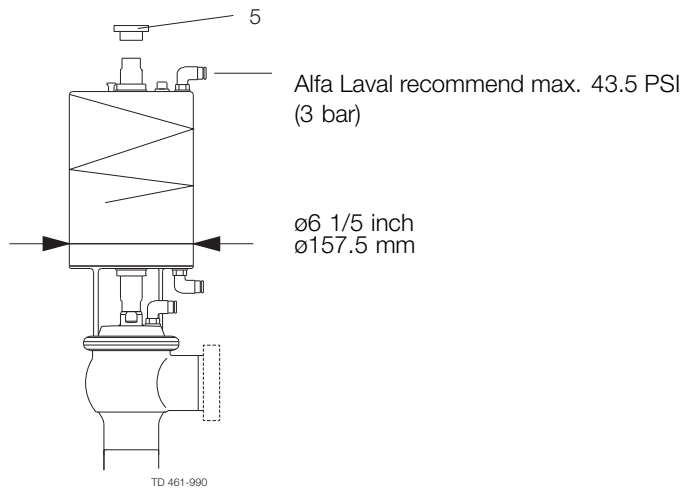
All warnings in the manual are summarized on this page.

Pay special attention to the instructions below so that severe personal injury and/or damage to the valve are avoided.

2.3 Safety precautions

Actuators marked with year 2012 (New actuator design):

Alfa Laval recommend only to use 43.5 PSI (3 bar) support air on the spring side in all the Unique 7000 actuators, to ensure 145 PSI (10 bar) product pressure without leakage. Plastic adapter (Pos. 5) is always used on the new design.



Actuators marked with year 2006-2011 (old actuator design):

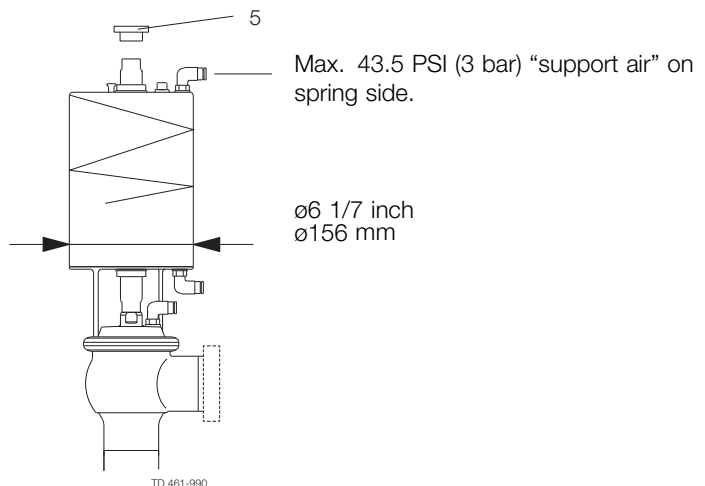


WARNING!

When using “support air” on spring side in all the Unique 7000 actuators, the pressure must **NOT** exceed 43.5 PSI (3 bar).

When using Unique 7000 actuators with OD156 mm with support air, **always** use the “steel adapter” (pos. 5). Tighten the “steel adapter” with torque of 21 lbf-ft (30 Nm) and use Loctite 243.

The actuator with OD156 mm is mainly used on valves ISO76/DN80 – ISO101/DN100. The outer actuator diameter = ø6 1/7 inch (156 mm).



All warnings in the manual are summarized on this page.

Pay special attention to the instructions below so that severe personal injury and/or damage to the valve are avoided.

Installation:

Always read the technical data thoroughly (See chapter 6 Technical data)

Always release compressed air after use

Never touch the moving parts if the actuator is supplied with compressed air

Never touch the valve or the pipelines when processing hot liquids or when sterilizing

Never dismantle the valve with valve and pipelines under pressure

Never dismantle the valve when it is hot



Operation:

Never dismantle the valve with valve and pipelines under pressure

Never dismantle the valve when it is hot

Always read the technical data thoroughly (See chapter 6 Technical data)

Always release compressed air after use

Never touch the valve or the pipelines when processing hot liquids or when sterilizing

Never touch the moving parts if the actuator is supplied with compressed air

Always rinse well with clean water after the cleaning

Always handle lye and acid with great care



Maintenance:

Always read the technical data thoroughly (See chapter 6 Technical data)

Always release compressed air after use

Never service the valve when it is hot

Never service the valve with valve and pipelines under pressure

Never stick your fingers through the valve ports if the actuator is supplied with compressed air

Never touch the moving parts if the actuator is supplied with compressed air



3 Installation

The instruction manual is part of the delivery. Study the instructions carefully.

The items refer to parts list and service kits section.

The valve is supplied as separate parts as standard (for welding).

The valve is assembled before delivery, if it is supplied with fittings.

3.1 Unpacking/delivery

Step 1

CAUTION

Alfa Laval cannot be held responsible for incorrect unpacking.

Check the delivery for:

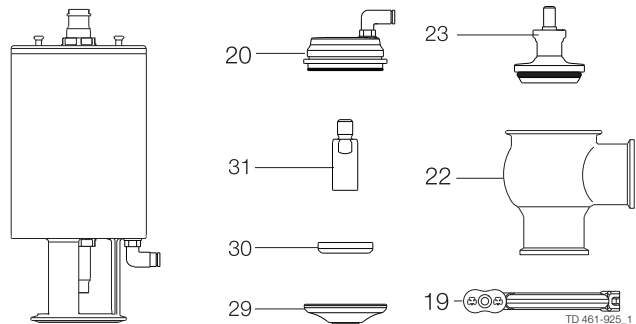
1. Complete valve, shut off valve (RA) or change-over valve (RA) (see steps 2a and 2b).
2. Delivery note.
3. Instruction manual.

Step 2

2a

Shut-off valve:

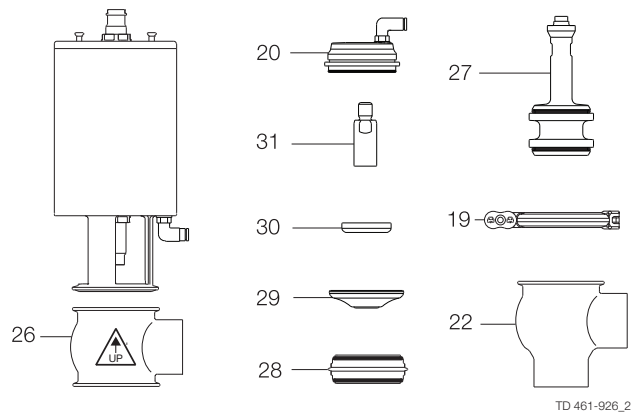
1. Complete actuator.
2. Bonnet (20).
3. Clamp (19).
4. Valve plug (23).
5. Valve body (22).
6. Diaphragm (29).
7. Disc for diaphragm (30).
8. Upper spindle (31)



2b

Change-over valve:

1. Complete actuator.
2. Bonnet (20).
3. Clamp (19).
4. Valve plug (27).
5. Lower valve body (22).
6. Valve seat (28).
7. Upper valve body (26).
8. Diaphragm (29)
9. Disc for diaphragm (30)
10. Upper spindle (31)



Step 3

Remove possible packing materials from the valve/valve parts.

Inspect the valve/valve parts for visible transport damages.

Avoid damaging the valve/valve parts.

Study the instructions carefully and pay special attention to the warnings!
The valve has welding ends as standard but can also be supplied with fittings.

3.2 General installation

Step 1



Always read the technical data thoroughly.
Always release compressed air after use.

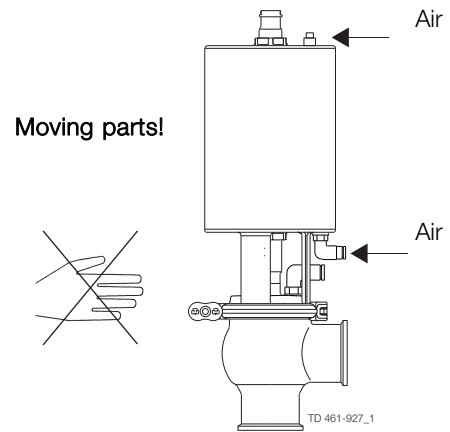
CAUTION

Alfa Laval cannot be held responsible for incorrect installation.

Step 2

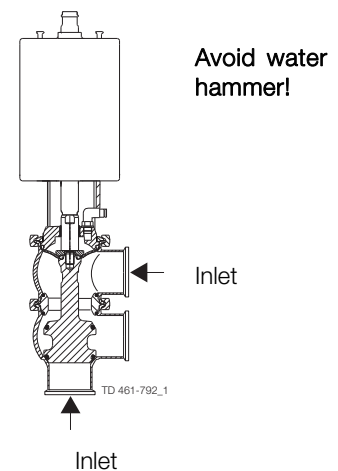


Never touch the moving parts if the actuator is supplied with compressed air.



Step 3

It is recommended to install the valve so that the flow is against the closing direction to avoid water hammer.



3 Installation

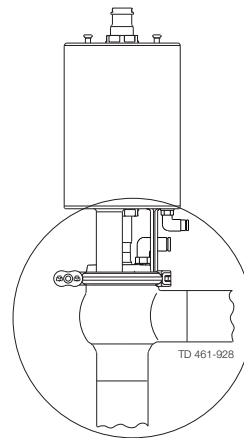
*Study the instructions carefully and pay special attention to the warnings!
The valve has welding ends as standard but can also be supplied with fittings.*

Step 4

Avoid stressing the valve:

Pay special attention to:

- Vibrations.
- Thermal expansion of the pipelines.
- Excessive welding.
- Overloading of the pipelines.

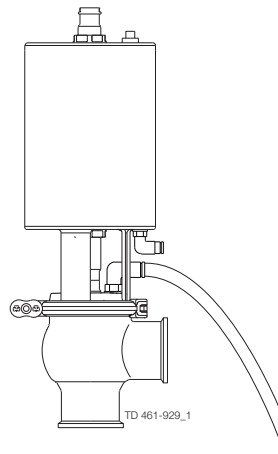


Risk of damage!

Step 5

Always check if the diaphragm is tight - it can be dangerous if it leaks steam/CIP

The hose must be a 5/32 hose for $\varnothing 25/38$ mm and a 1/4" hose for larger valve types.



To avoid all danger the hose must reach the drain!

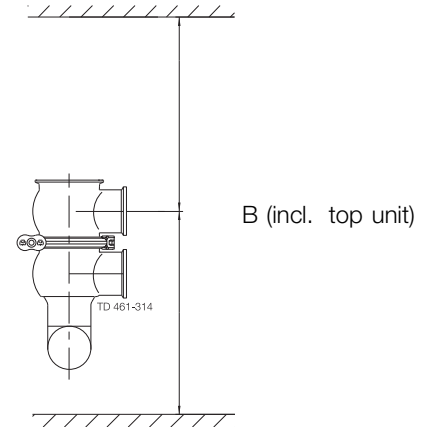
Study the instructions carefully.
 The valve is supplied as separate parts to facilitate the welding.
 The items refer to the parts list and service kits section.
 Check the valve for smooth operation after welding.

3.3 Welding

Step 1

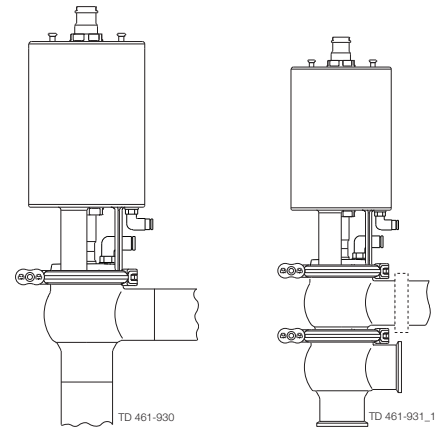
Always install valves with more than one valve body so that the seals between the valve bodies can be replaced. Do not weld more than one valve body into the system.

Valve size	A (inch)	B (inch)
1"	*	24.8
1½"	*	27.6
2"	*	29.5
2½"	*	29.1
3"	*	31.5
4"	*	31.1



Step 2

Assemble the valve in accordance with the steps in section 4.4.
Pay special attention to the warnings!

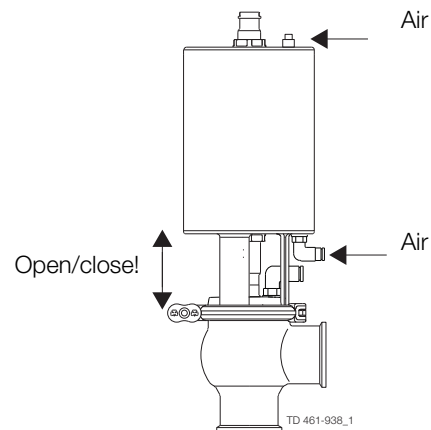


Step 3

Pre-use check:

1. Supply compressed air to the actuator.
2. Open and close the valve several times to ensure that it operates smoothly.

Pay special attention to the warnings!



3 Installation

Study the instructions carefully.

The valve is supplied as separate parts to facilitate the welding.

The items refer to the parts list and service kits section.

Check the valve for smooth operation after welding.

3.4 Recycling information

- **Unpacking**

- Packing material consists of wood, plastics, cardboard boxes and in some cases metal straps
- Wood and cardboard boxes can be reused, recycled or used for energy recovery
- Plastics should be recycled or burnt at a licensed waste incineration plant
- Metal straps should be sent for material recycling

- **Maintenance**

- During maintenance oil and wear parts in the machine are replaced
- All metal parts should be sent for material recycling
- Worn out or defective electronic parts should be sent to a licensed handler for material recycling
- Oil and all non metal wear parts must be taken care of in agreement with local regulations

- **Scrapping**

- At end of use, the equipment shall be recycled according to relevant, local regulations. Beside the equipment itself, any hazardous residues from the process liquid must be considered and dealt with in a proper manner. When in doubt, or in the absence of local regulations, please contact the local Alfa Laval sales company
-

Study the instructions carefully and pay special attention to the warnings!
Ensure that the valve operates smoothly.
The items refer to the parts list and service kits section.

4.1 Operation

Step 1



Always read the technical data thoroughly.
See chapter 6 Technical data



Always release compressed air after use.

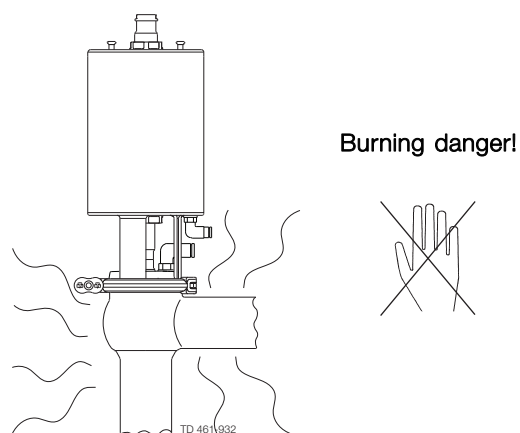
CAUTION

Alfa Laval cannot be held responsible for incorrect operation.

Step 2



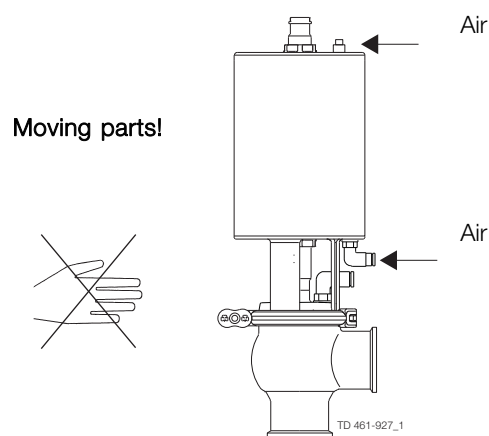
Never touch the valve or the pipelines when processing hot liquids
or when sterilizing.



Step 3



Never touch the moving parts if the actuator is supplied with
compressed air.



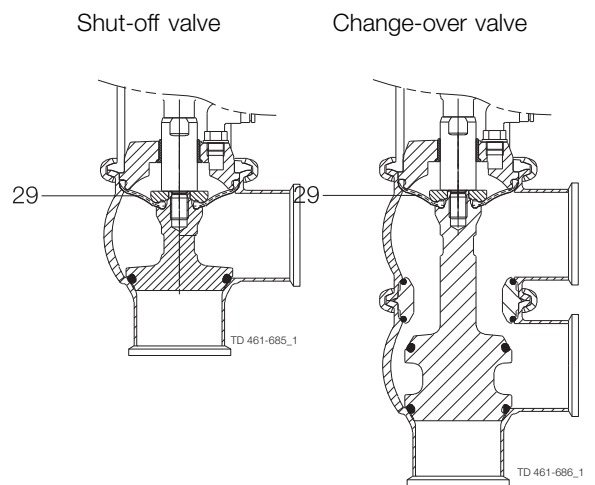
4 Operation

*Study the instructions carefully and pay special attention to the warnings!
Ensure that the valve operates smoothly.
The items refer to the parts list and service kits section.*

Step 4

CAUTION:

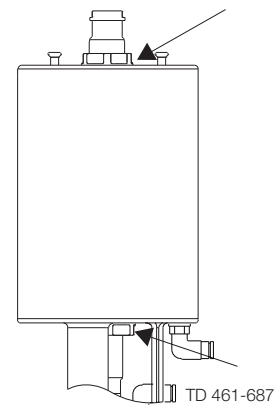
It is recommended not to re-use diaphragm (pos. 29) after dismantling (risk of damage and leakage).



Step 5

Lubrication of actuator

1. Ensure smooth movement of the actuator (the actuator is lubricated before delivery).
2. Lubricate with Molykote Longterm 2 plus if necessary.



Pay attention to possible faults. Study the instructions carefully.
The items refer to the parts list and service kits section.

4.2 Troubleshooting

NOTE!

Study the maintenance instructions carefully before replacing worn parts. - See section 5.1!

Problem	Cause/result	Repair
External product leakage	Worn or product affected diaphragm stem seal and/or seal ring	<ul style="list-style-type: none"> - Replace the seals or diaphragm - Replace with seals of a different rubber grade
Internal product leakage	<ul style="list-style-type: none"> - Worn or product affected plug seal - Product deposits on the seat and/or plug - Product pressure exceeds actuator specification 	<ul style="list-style-type: none"> - Replace the seal - Replace with a seal of a different rubber grade - Frequent cleaning - Replace with a high pressure actuator - Use auxiliary air on the spring side - Reduce product pressure
Water hammer	The flow direction is the same as the closing direction	<ul style="list-style-type: none"> - The flow direction should be against the closing direction - Throttle air release of solenoid in top unit
The valve does not open/close	Product pressure exceeds actuator specification	<ul style="list-style-type: none"> - Replace with a high pressure actuator - Use auxiliary air on the spring side - Reduce product pressure

4 Operation

The valve is designed for cleaning in place (CIP). CIP = Cleaning In Place.
 Study the instructions carefully and pay special attention to the warnings!
 NaOH = Caustic Soda.
 HNO₃ = Nitric acid.

4.3 Recommended cleaning

Step 1



Always handle lye and acid with great care.

Caustic danger!



Always use
rubber gloves!

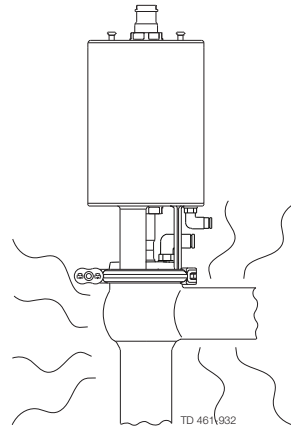


Always use
protective goggles!

Step 2



Never touch the valve or the pipelines when sterilizing.



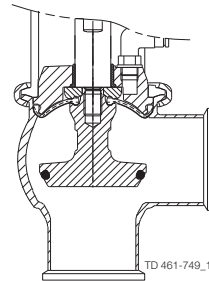
Burning danger!



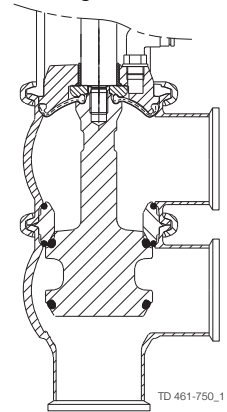
Step 3

Clean the plug and the seats correctly.
Pay special attention to the warnings!
 Lift and lower valve plug momentarily!

Shut-off valve



Change-over valve



Step 4

Examples of cleaning agents:

Use clean water, free from chlorides.

1. 1% by weight NaOH at 158° F

$$\begin{array}{|c|} \hline 2.2 \text{ lb} \\ \hline \text{NaOH} \\ \hline \end{array} + \begin{array}{|c|} \hline 26.4 \text{ gal} \\ \hline \text{water} \\ \hline \end{array} = \text{Cleaning agent.}$$

$$\begin{array}{|c|} \hline 0.6 \text{ gal} \\ \hline 33\% \text{ NaOH} \\ \hline \end{array} + \begin{array}{|c|} \hline 26.4 \text{ gal} \\ \hline \text{water} \\ \hline \end{array} = \text{Cleaning agent.}$$

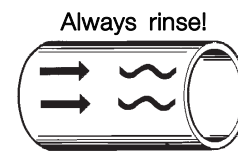
2. 0.5% by weight HNO₃ at 158° F

$$\begin{array}{|c|} \hline 0.2 \text{ gal} \\ \hline 53\% \text{ HNO}_3 \\ \hline \end{array} + \begin{array}{|c|} \hline 26.4 \text{ gal} \\ \hline \text{water} \\ \hline \end{array} = \text{Cleaning agent.}$$

The valve is designed for cleaning in place (CIP). CIP = Cleaning In Place.
Study the instructions carefully and pay special attention to the warnings!
NaOH = Caustic Soda.
HNO₃ = Nitric acid.

Step 5

1. Avoid excessive concentration of the cleaning agent.
2. Adjust the cleaning flow to the process.
3. **Always** rinse well with clean water after the cleaning.



Clean water Cleaning agents

Step 6

NOTE

The cleaning agents must be stored/disposed of in accordance with current regulations/directives.

5 Maintenance

Maintain the valve regularly.

Study the instructions carefully and pay special attention to the warnings!

Always keep spare rubber seals and lip seals in stock.

5.1 General maintenance

Step 1



Always read the technical data thoroughly.
See chapter 5.



Always release compressed air after use.

Step 2



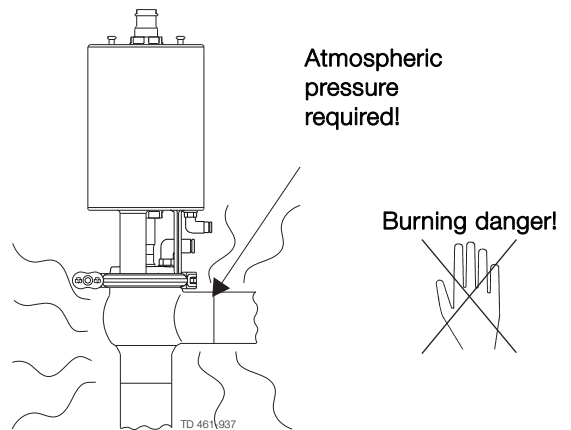
Never service the valve when it is hot.



Never service the valve with valve and pipelines under pressure.

NOTE

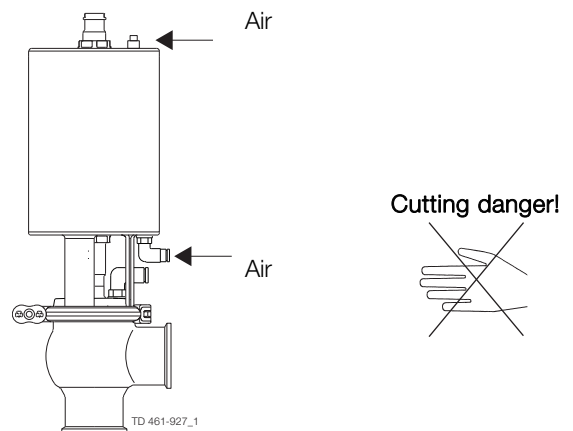
All scrap must be stored/discharged in accordance with current rules/directives.



Step 3



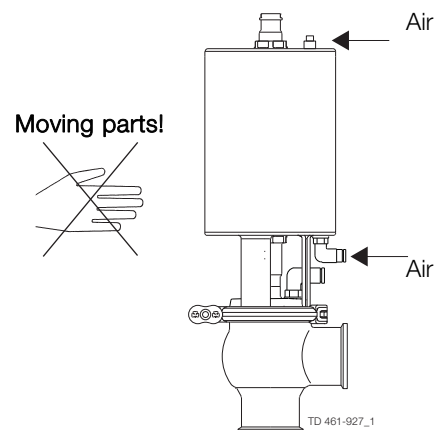
Never stick your fingers through the valve ports if the actuator is supplied with compressed air.



Step 4



Never touch the moving parts if the actuator is supplied with compressed air.



Maintain the valve regularly.

Study the instructions carefully and pay special attention to the warnings!

Always keep spare rubber seals and lip seals in stock.

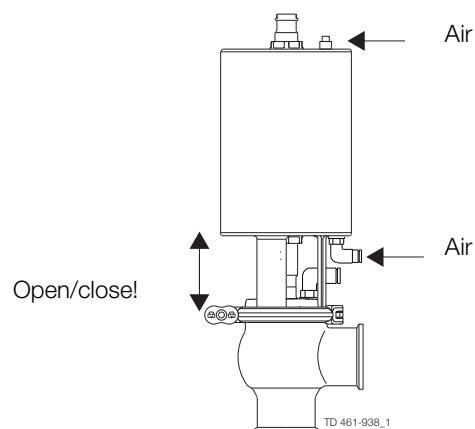
Below are some guidelines for maintenance and lubrication intervals. Please note that the guidelines are for normal working conditions in one shift.

	Product wetted seals	Actuator bushings complete
Preventive maintenance	Replace after 12 months depending on working conditions	Replace after 5 years depending on working conditions
Maintenance after leakage (leakage normally starts slowly)	Replace at the end of the day	Replace when possible
Planned maintenance	<ul style="list-style-type: none"> - Regular inspection for leakage and smooth operation - Keep a record of the valve - Use the statistics for planning of inspections Replace after leakage	<ul style="list-style-type: none"> - Regular inspection for leakage and smooth operation - Keep a record of the actuator - Use the statistics for planning of inspections Replace after leakage
Lubrication	Before fitting Klüber Paraliq GTE 703 or similar USDA H1 approved oil/grease	Before fitting Molykote Longterm 2 plus

Pre-use check:

1. Supply compressed air to the actuator.
2. Open and close the valve several times to ensure that it operates smoothly.

Pay special attention to the warnings!



Recommended spare parts

Service kits (see chapter 7)

5 Maintenance

Study the instructions carefully. The items refer to the parts list and service kits section. Handle scrap correctly.

NC = Normally closed.

NO = Normally open.

A/A = Air/air activated.

5.2 Dismantling of valve

Step 1

1a

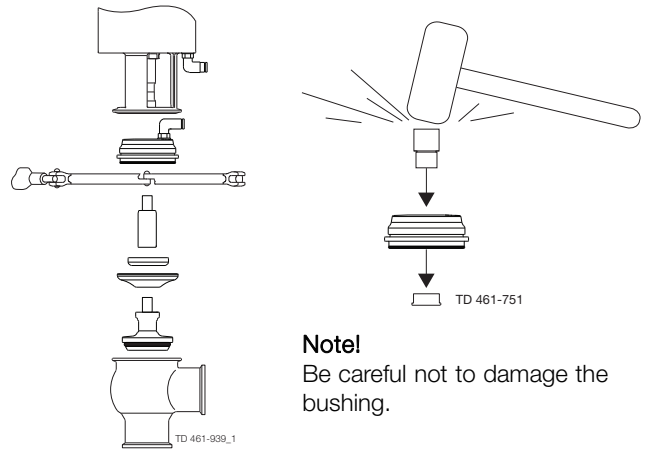
Shut-off valve:

1. Supply compressed air to the actuator (only NC).
2. Loosen and remove lower clamp.
3. Replace compressed air (only NC).
4. Lift away the actuator.
5. Unscrew and remove valve plug.
6. Remove diaphragm from bonnet.
7. Remove diaphragm disc and bushing in bonnet. (Use bushing tool and rubber mallet).

Note! Be careful not to damage the bushing.

Pay special attention to the warnings!

Note! For plug seal replacement please see page 21.



Note!

Be careful not to damage the bushing.

1b

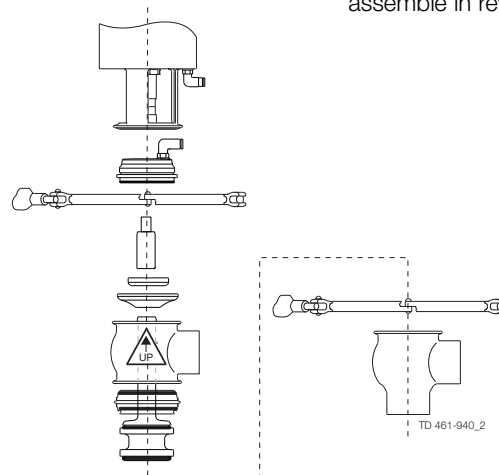
Change-over valve:

1. Supply compressed air to the actuator (only NC).
2. Loosen and remove upper clamp
3. Release compressed air (only NC)
4. Loosen and remove lower clamp.
5. Lift away the actuator and upper valve body.
6. Supply compressed air to the actuator (only NO).
7. Unscrew and remove valve plug.
8. Release compressed air (only NO).
9. Remove seat and O-rings.
10. Remove upper valve body.
11. Remove diaphragm from bonnet.
12. Remove O-ring, lip seal and bushing in bonnet. (Use bushing tool and rubber mallet. See drawing, step 1a).

Note! Be careful not to damage the bushing.

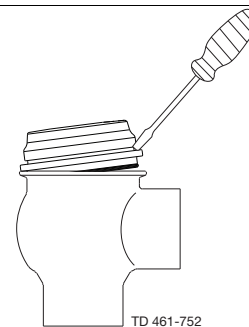
Pay special attention to the warnings!

Note! For plug seal replacement please see page 21.

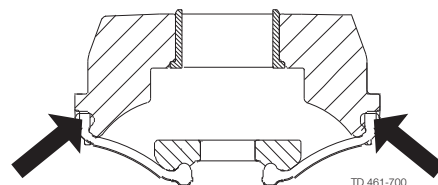


Note! It is important to loosen the **upper** clamp first and assemble in reverse order.

NOTE! Please use a screw driver if the bonnet is difficult to dismantle from the valve body.



NOTE! Make sure that the diaphragm is securely mounted on the bonnet before installing the complete diaphragm/stem into the valve body.



Study the instructions carefully.

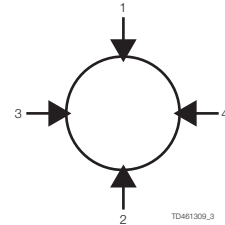
The items refer to the parts list and service kits section. Handle scrap correctly.

A/A = Air/air activated.

Service tool: See Spare Parts.

5.3 Elastomer seat ring replacement

1. Remove old seal ring using a knife, screwdriver or similar.
Be careful not to damage metal parts.
2. Pre-mount plug seal without pressing it into the groove.
3. Squeeze plug seal into the groove using opposite pressure points.
4. Release compressed air behind plug seal.



5.4 Assembly of valve

Reverse order of 5.2, Dismantling of valve.

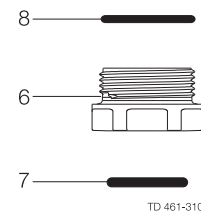
Lubricate O-ring (21) and lip seal (25) with Klüber Paraliq GTE 703.

Remember to tighten spindle and plug with a torque $M = 23 \text{ lbf-ft}$ (30 Nm) (Use two 17 mm spanners)

If there are vibrations in the pipeline Alfa Laval recommend to use loctite nr. 243.

5.5 Actuator bushing replacement

1. Unscrew and remove top and bottom bushings with O-rings.
2. Lubricate O-rings with Molykote Longterm 2 plus before fitting.
3. Fit bushings and O-rings. Tighten brushing with a torque = 7 lbf-ft (10 Nm).
Be careful not to overtighten.

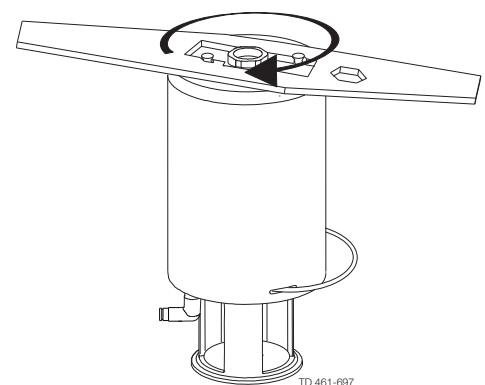


5.6 Dismantling of optional maintainable actuator

1. Rotate cylinder.
2. Remove lock wire and pull away cylinder.
3. Unscrew nuts and remove yoke.
4. Unscrew top and bottom bushings.
5. Remove piston with O-ring and spring assembly.
6. Remove O-rings and support disc.

Note! The A/A actuator has no spring assembly.

Rotate cylinder with service tool



5 Maintenance

Study the instructions carefully.

The items refer to the parts list and service kits section. Handle scrap correctly.

AVA = Air/air activated.

Service tool: See Spare Parts.

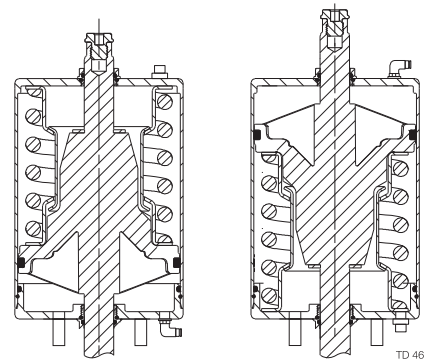
5.7 Assembly of optimal maintainable actuator

Reverse order of 5.6. Dismantling of actuator.

Lubricate O-ring (3,7,11) with Molykote Longterm 2 plus before fitting.

5.8 Additional equipment

1. Rotate cylinder.
2. Remove lock wire and pull away cylinder.
3. Reverse piston and spring assembly.
4. Reverse adapter, airfitting and plug to opposite end.
5. Re-assemble in reverse order (3 to 1).



Pneumatic movement
upwards
NC

Pneumatic movement
downwards
NO

*It is important to observe the technical data during installation, operation and maintenance.
Inform the personnel about the technical data.*

6.1 Technical data

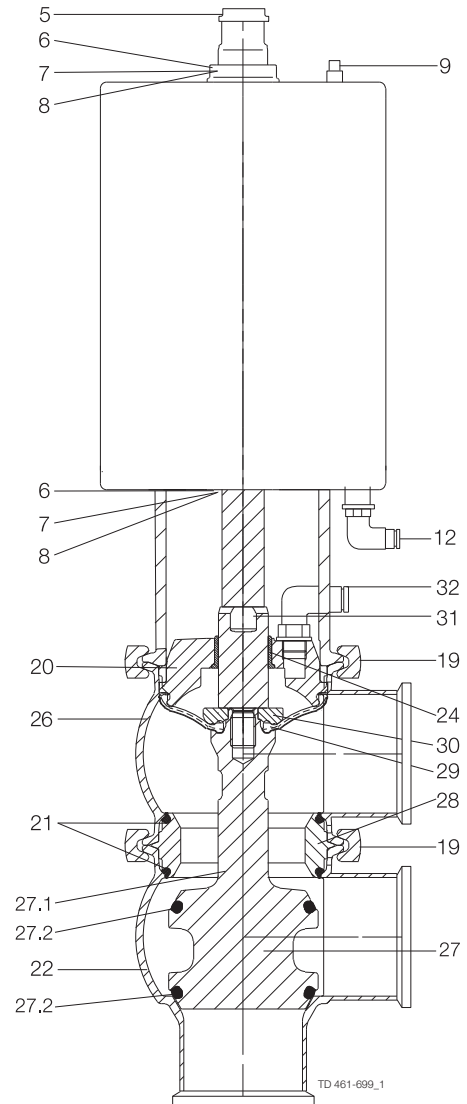
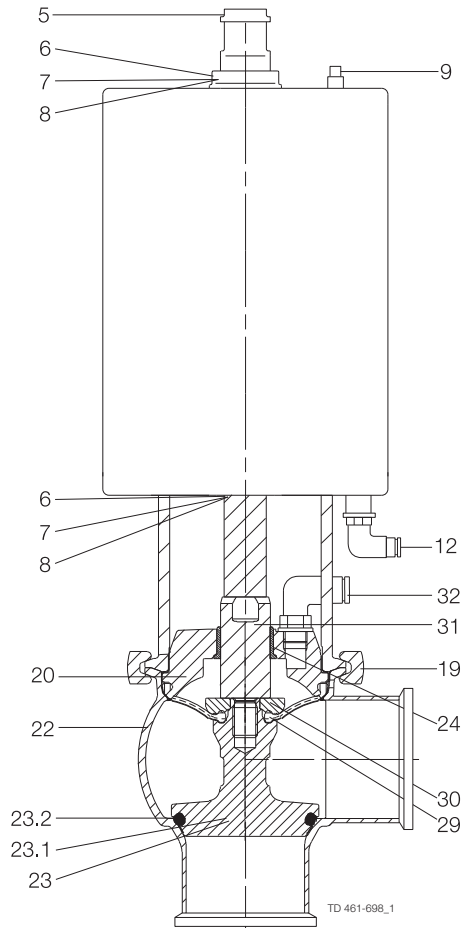
Data - valve/actuator	
Max. product pressure:	116 PSI (800 kPa) (8 bar)
Max. product pressure:	Full vacuum
Max. sterilisation temperature (steam - short time):	302°F - 43 PSI (380 kPa) (3.8 bar)
Temperature range:	14°F to + 284°F (standard EPDM seal)
Air pressure, actuator:	72.5 to 101.5 PSI (500 - 700 kPa) (5 to 7 bar)
Materials - valve/actuator	
Product wetted steel parts:	AISI 316L (internal Ra < 32 µ inch)
Other steel parts:	AISI 304
Plug seal:	EPDM
Diaphragm:	EPDM / PTFE
Other product wetted seals:	EPDM (standard)
Optional product wetted seals:	HNBR and FPM
Other seals:	NBR

7 Unique 7000 Series Aseptic Valve

*It is important to observe the technical data during installation, operation and maintenance.
Inform the personnel about the technical data.*

7.1 Unique 7000 Series Aseptic Valve

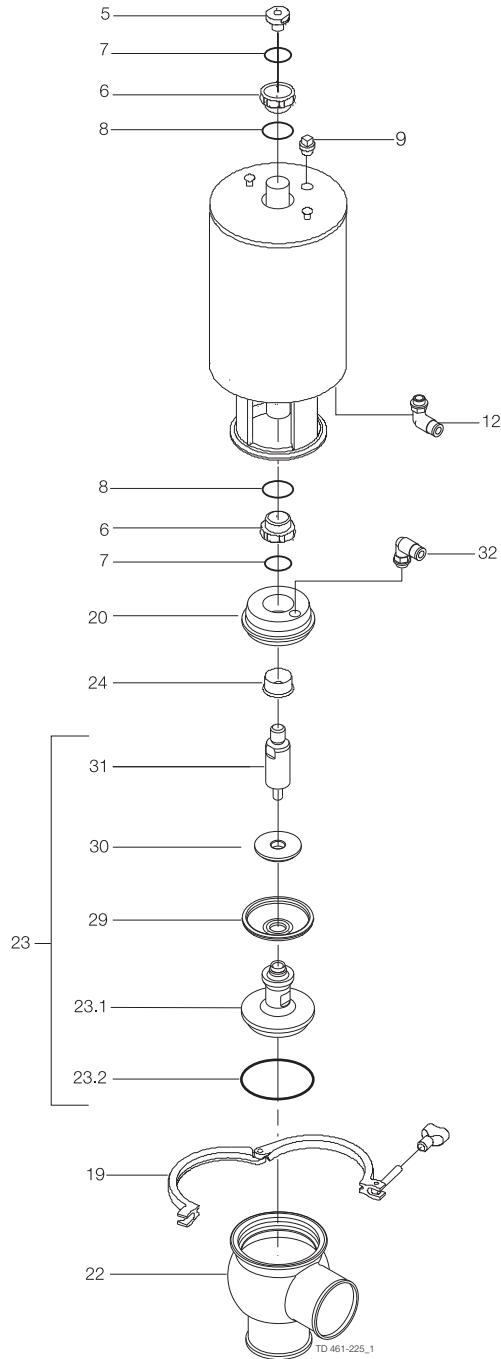
For parts lists please see section 7.1. The drawings include items.



7 Unique 7000 Series Aseptic Valve

*It is important to observe the technical data during installation, operation and maintenance.
Inform the personnel about the technical data.*

7.2 Unique 7000 Series Aseptic Valve - shut-off



7 Unique 7000 Series Aseptic Valve

*It is important to observe the technical data during installation, operation and maintenance.
Inform the personnel about the technical data.*

Parts list

Pos.	Qty	Denomination
5	1	Actuator
6 □	2	Adapter
7 □	2	Bushing
8 □	2	O-ring
9	1	O-ring
12	1(2)	Plug
19	1	Air fitting
20	1	Clamp
22	1	Bonnet
23	1	Valve body
23.1	1	Plug
23.2 ♦	1	Plug, shut off
24	1	Plug seal
29 ♦	1	Bushing
30	1	Diaphragm
31	1	Disc for diaphragm
32	1	Upper spindle
	1	Air fitting

Service kits

Denomination	1"	1½"	2"	2½"	3"	4"
Actuator						
□ Service kit	9611926500	9611926500	9611926500	9611926500	9611926500	9611926500
Product wetted parts						
♦ Service kit, EPDM	9611926543	9611926544	9611926545	9611926546	9611926547	9611926548
♦ Service kit, HNBR	9611926549	9611926550	9611926551	9611926552	9611926553	9611926554
♦ Service kit, FPM	9611926555	9611926556	9611926557	9611926558	9611926559	9611926560

Parts marked with □ are included in the service kits (actuator).

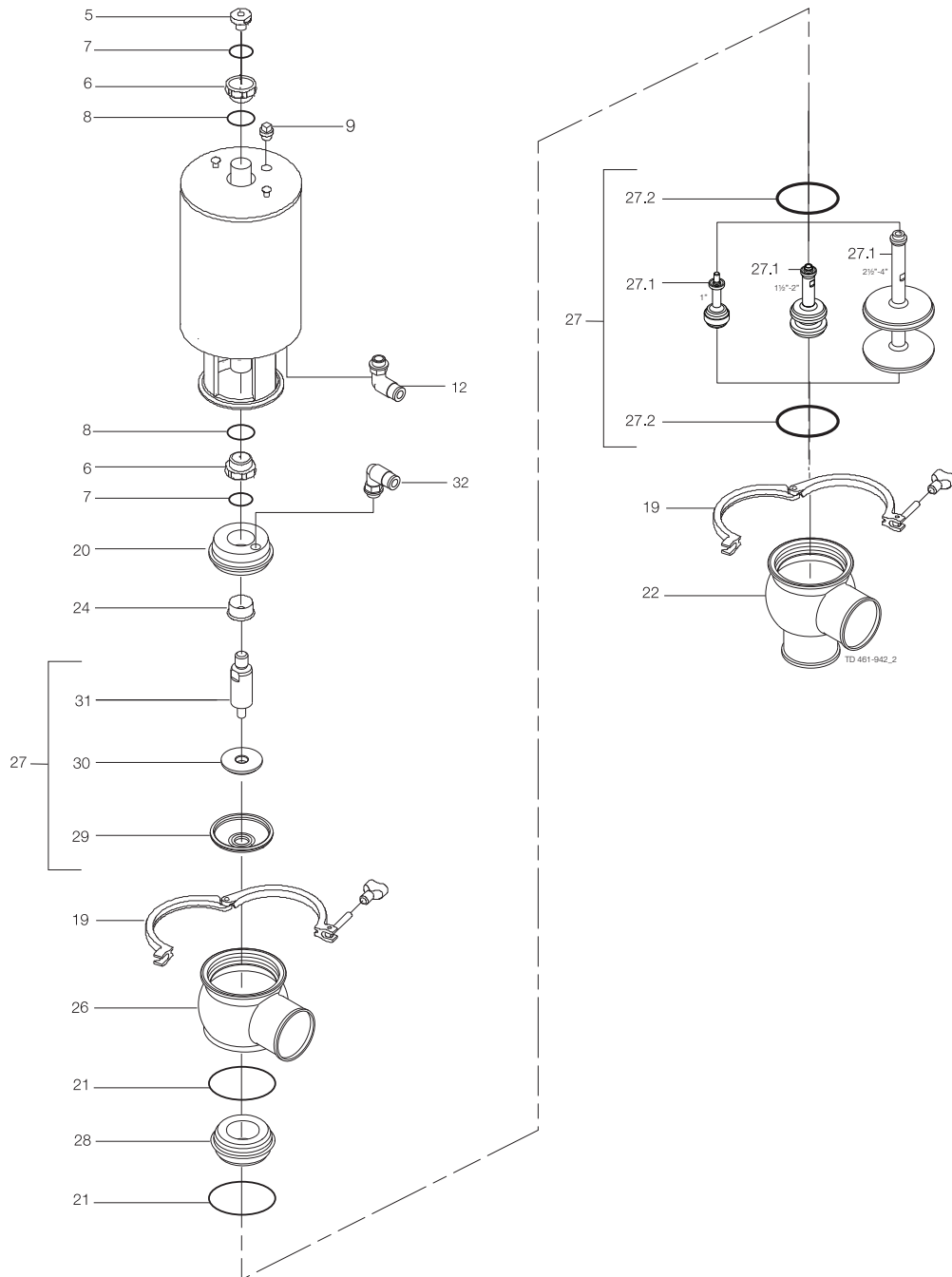
Parts marked with ♦ are included in the service kits (product wetted parts).

Recommended spare parts: Service kits.

7 Unique 7000 Series Aseptic Valve

*It is important to observe the technical data during installation, operation and maintenance.
Inform the personnel about the technical data.*

7.3 Unique 7000 Series Aseptic Valve - Change-over



7 Unique 7000 Series Aseptic Valve

*It is important to observe the technical data during installation, operation and maintenance.
Inform the personnel about the technical data.*

Parts list

Pos.	Qty	Denomination
5	1	Actuator
6	2	Adapter
6	2	Bushing
7	2	O-ring
8	2	O-ring
9	1	Plug
12	1(2)	Air fitting
19	2	Clamp
20	1	Bonnet
21	2	O-ring
22	1	Valve body
24	1	Bushing
26	1	Valve body
27	1	Plug
27.1	1	Plug, change over
27.2	2	Plug seal
28	1	Seat
29	1	Diaphragm
30	1	Disc for diaphragm
31	1	Upper spindle
32	1	Air fitting

Service kits

Denomination	1"	1½"	2"	2½"	3"	4"
Actuator						
□ Service kit	9611926500	9611926500	9611926500	9611926500	9611926500	9611926500
Product wetted parts						
♦ Service kit, EPDM	9611926615	9611926616	9611926617	9611926618	9611926619	9611926620
♦ Service kit, HNBR	9611926621	9611926622	9611926623	9611926624	9611926625	9611926626
♦ Service kit, FPM	9611926627	9611926628	9611926629	9611926630	9611926631	9611926632

Parts marked with □ are included in the service kits (actuator).

Parts marked with ♦ are included in the service kits (product wetted parts).

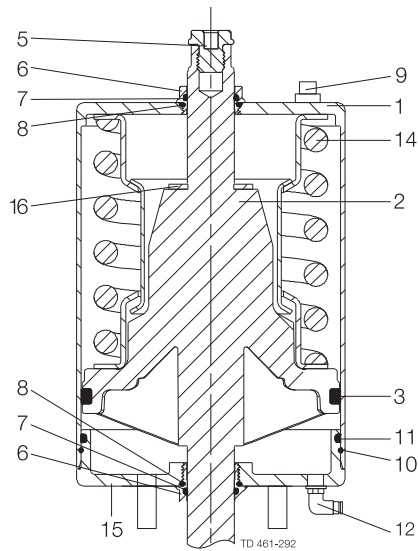
Recommended spare parts: Service kits.

TD 900366/5

7 Unique 7000 Series Aseptic Valve

*It is important to observe the technical data during installation, operation and maintenance.
Inform the personnel about the technical data.*

7.4 Maintainable actuator



7 Unique 7000 Series Aseptic Valve

*It is important to observe the technical data during installation, operation and maintenance.
Inform the personnel about the technical data.*

Parts list

Pos.	Qty	Denomination
		Actuator
		Actuator
		Actuator
1	1	Cylinder (blasted)
	1	Cylinder (polished)
2	1	Piston
3	1	O-ring
5	1	Adapter
	1	Adapter
6	2	Bushing
7	2	O-ring
8	2	O-ring
9	1	Plug
10	1	Lock wire
11	1	O-ring
12	1 (2)	Air fitting (only 2 for A/A)
13	1	Yoke
14	1	Spring assembly
15	1	Bottom
16	1 (2)	Support disc (only 2 for A/A)
17	3	Washer
18	3	Nut

Service kits

Denomination	1"	1½"	2"	2½"	3"	4"
Actuator						
Service kit, NO , NC	9611-92-6497	9611-92-6497	9611-92-6498	9611-92-6498	9611-92-6499	9611-92-6499
Service kit, A/A	9611-92-6519	9611-92-6519	9611-92-6520	9611-92-6520	9611-92-6521	9611-92-6521

Recommended spare parts: Service kits

Parts marked with $\square\blacklozenge$ are included in the service kits.

TD 900-362/1

How to contact Alfa Laval

Contact details for all countries are continually updated on our website.

Please visit www.alfalaval.com to access the information directly.

© Alfa Laval Corporate AB

This document and its contents is owned by Alfa Laval Corporate AB and protected by laws governing intellectual property and thereto related rights. It is the responsibility of the user of this document to comply with all applicable intellectual property laws. Without limiting any rights related to this document, no part of this document may be copied, reproduced or transmitted in any form or by any means (electronic, mechanical, photocopying, recording, or otherwise), or for any purpose, without the expressed permission of Alfa Laval Corporate AB. Alfa Laval Corporate AB will enforce its rights related to this document to the fullest extent of the law, including the seeking of criminal prosecution.